

Interia

Creating Work[ing] Spaces



Hydra

Fixed Height Workstations

2 - 4 Week Lead Time

Hydra

Our Hydra range is an eye catching solution which is almost limitless in its configuration options. The subtle rounded styling is completely unique in the market and is perfect for the workspace that seeks to differentiate itself from the bland styling the majority of offices subscribe to. The Hydra system is modular and highly configurable to ensure optimum use of your valuable office space.

Features

- Base Colours: Black or White. Other custom colours available on request
- Round Leg Profile
- Customisable
- Standard desktop colour options, full Laminex and Polytec range also available
- Australian Made, PEFC™ Certified Desktop
- SEDEX® Certified Desktop Manufacturer who partners with Carbon Neutral by offsetting emissions
- Compatible with PET Screens, Wrap Screens, Metal Frames Screens and Fabric Screens
- Compatible with RAPIDO Soft Wiring range
- Plastic feet with height levelling (+10 mm)
- Optional cut outs and scalloped edges
- Warranty: 10 Years

Variations

** Additional lead time for Multipurpose range (12 - 14 Weeks)



Round



Back to back



Multipurpose



Multipurpose - 1400 Depth



Desktop Type



Standard



Scolloped



Cut Outs

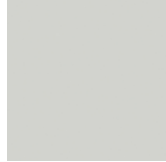
Standard Desktop Colour Options



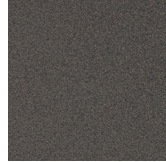
Polar White



White 200



Oyster Grey



Greystone



Curly Birch



Elegant Oak



Select Beech

**full Laminex and Polytec range also available

Standard Desktop Size

- 1500w x 750d
- 1800w x 750d
- 1600w x 750d

Multipurpose Optional Extras



Castors



Cable Management Solutions



Monitor Holders



Planter Boxes



Shelving Options

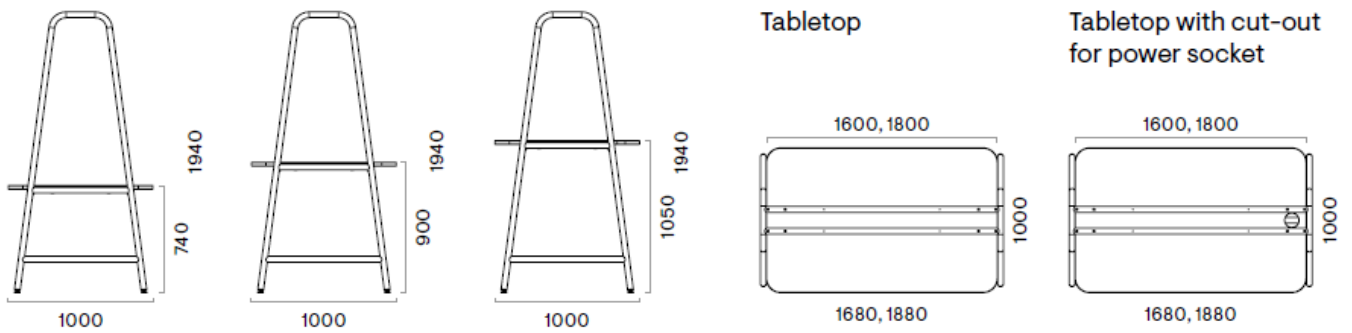


Perforated Metal Top Cover

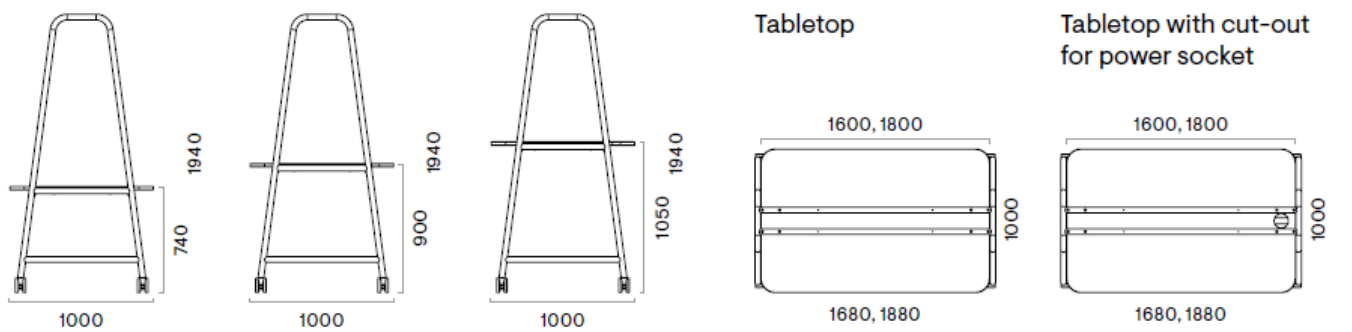


Multipurpose Table Specifications:

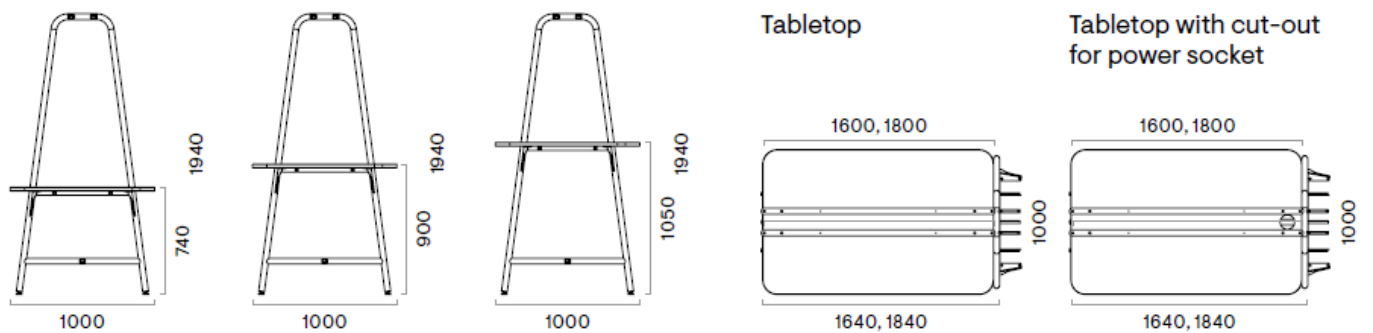
1000 mm depth multipurpose tables



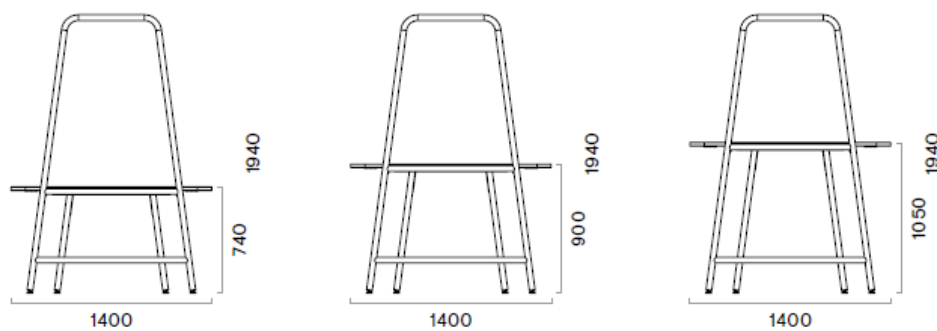
1000 mm depth multipurpose tables with castors



1000 mm depth multipurpose table supplementary units (not possible with castors)



1400 mm depth multipurpose tables





CONTACT

1300 784 814
sales@interia.com.au

Showroom
Old Cloisters Building
200 St. Georges Terrace,
Perth WA 6000

Head Office
21 - 25 Chisholm Crescent,
Kewdale WA 6105

Connect with us
on social media!