

# ARRI

TASK CHAIR

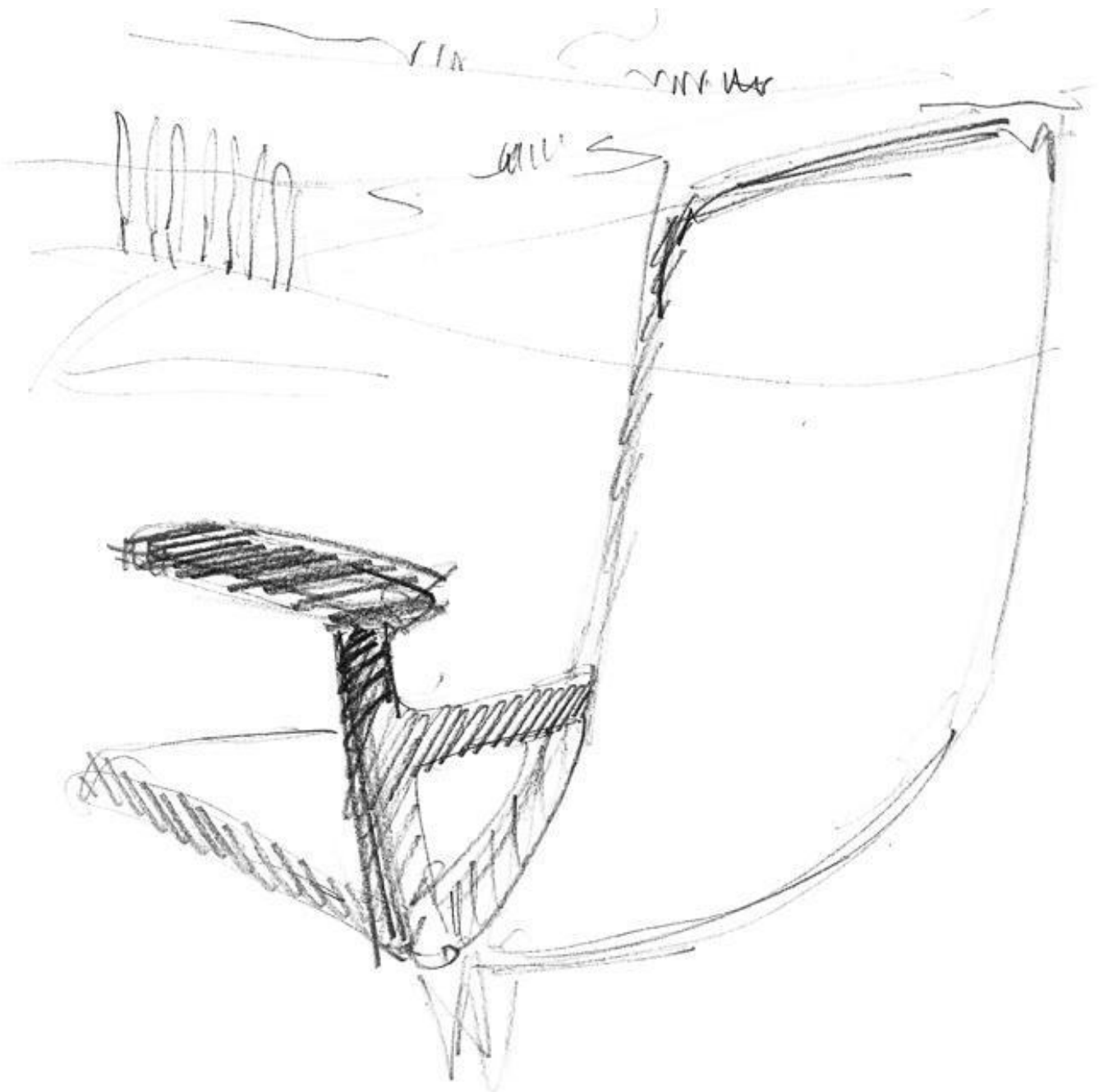


# Int<sup>er</sup>eria



# Baldanzi & Novelli designers

The **ARRI** chairs were created by an award-winning Italian design studio who were inspired by the sleepy Tuscan hillsides in Winter. The theme to come out of this inspiration was one of simplicity which can be seen in the combination of strict lines and soft curves.



# ADJUSTMENT FEATURES

## **Knee-tilt mechanism with centered axis**

The backrest and the seating part are joined together. When you lean back, the whole chair tilts. This mechanism allows you to lean back without lifting your feet from the ground.

## **Tension adjustment**

This function allows you to control how easily the chair tilts, depending on your weight and the force that is being used to lean back.



# PRODUCT

## DESCRIPTION

ARRI chairs is composed of stylish, sophisticated and also functional. They are perfectly compatible with various desks and meeting tables.

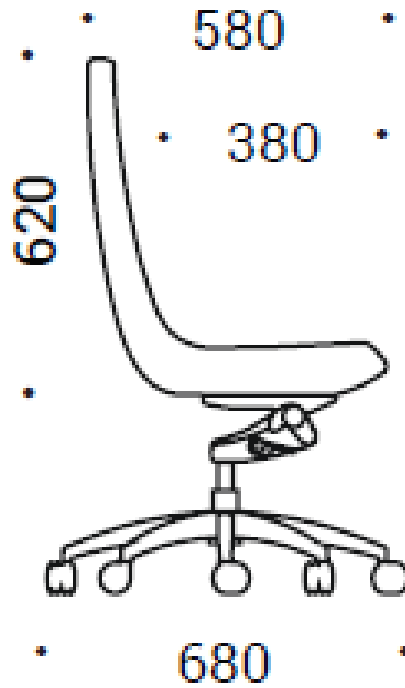
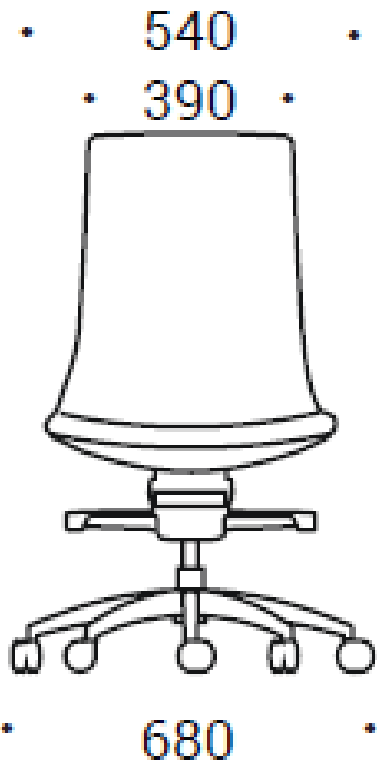
Depending on the chosen variation, materials and colours, task chair might be expressive and attracting attention, or minimalist, easily blending in with the existing office interior.

## FEATURES

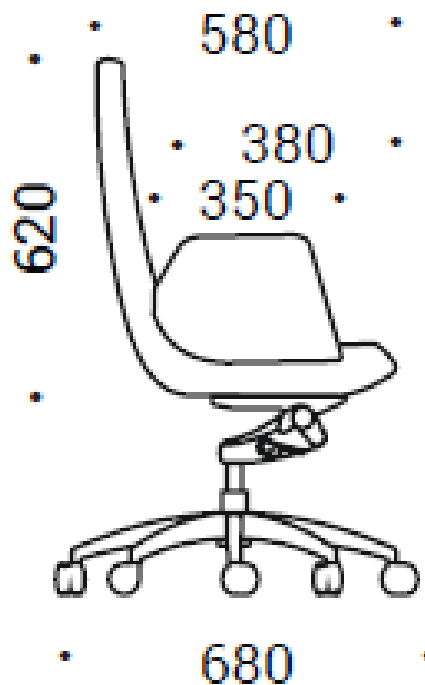
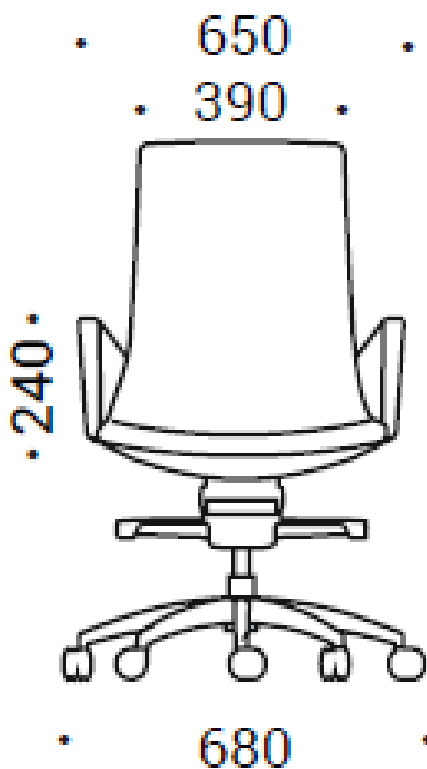
- Knee-tilt mechanism with side tension adjustment
- 4 locking backrest positions
- Quick tension adjustment by the lever on the side of mechanism.



# SPECIFICATIONS



• 450-540 •  
• 1050-1140 •



• 450-540 •  
• 1050-1140 •

# Interia


Creating Work[ing] Spaces

---

 1800 549 852

 [Interia.com.au](http://Interia.com.au)

 [sales@interia.com.au](mailto:sales@interia.com.au)

 Showroom  
Old Cloisters Building  
200 St. Georges Terrace,  
Perth WA 6000

 Head Office  
21 - 25 Chisholm Crescent,  
Kewdale WA 6105