

LIDO RANGE

CHAIRS/STOOLS



Interia





PRODUCT

FEATURES

LEADTIME: 4-6 Weeks

Australian Made

140kg Weight Rating

7-year warranty

Optional arm rests

Base options

- Timber leg
- 5-star swivel
- Sled
- Stool

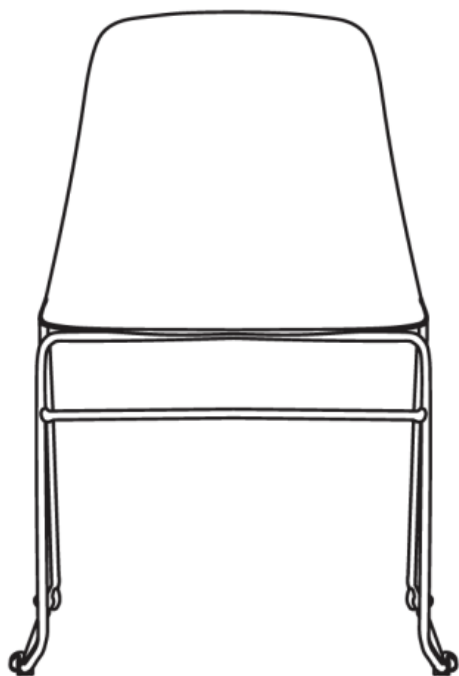
Seat Options

- Plastic Shell
- Seat Pad
- Full Upholstery



SPECIFICATIONS

520mm



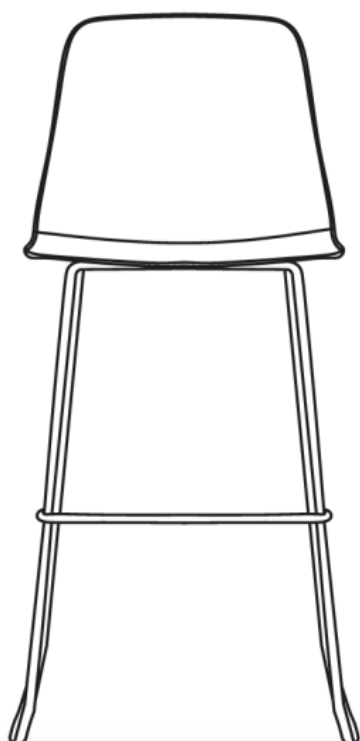
845mm

500mm



465mm

520mm



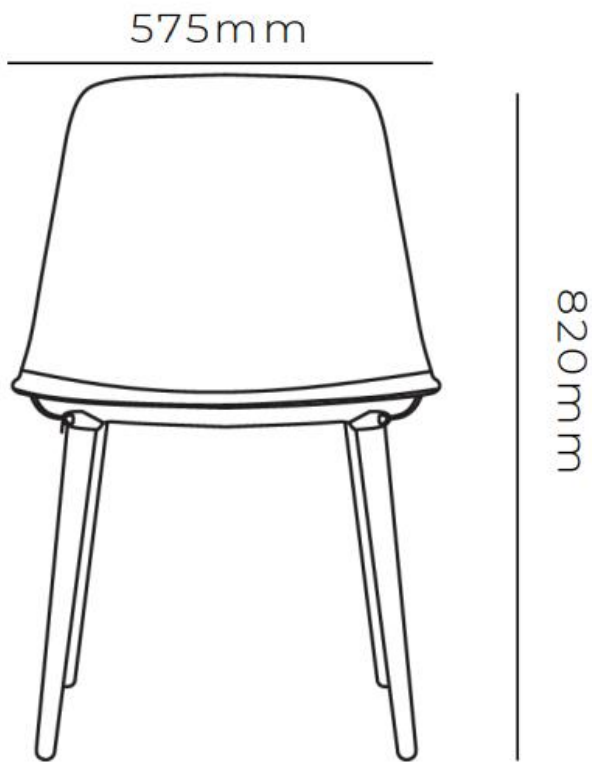
1180mm

500mm

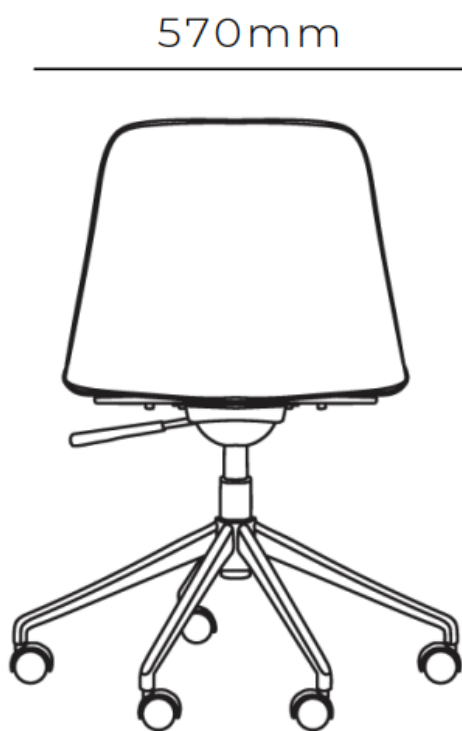
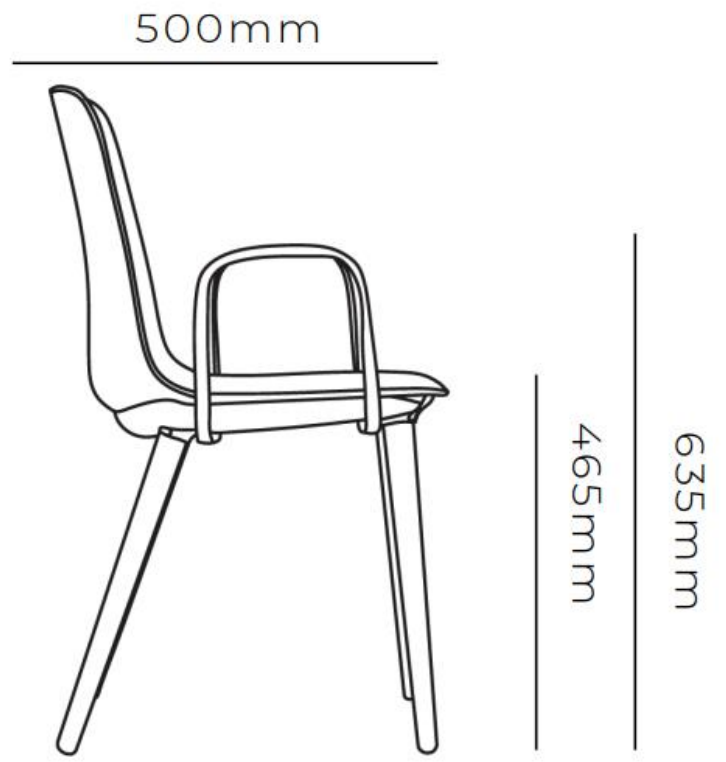


745mm

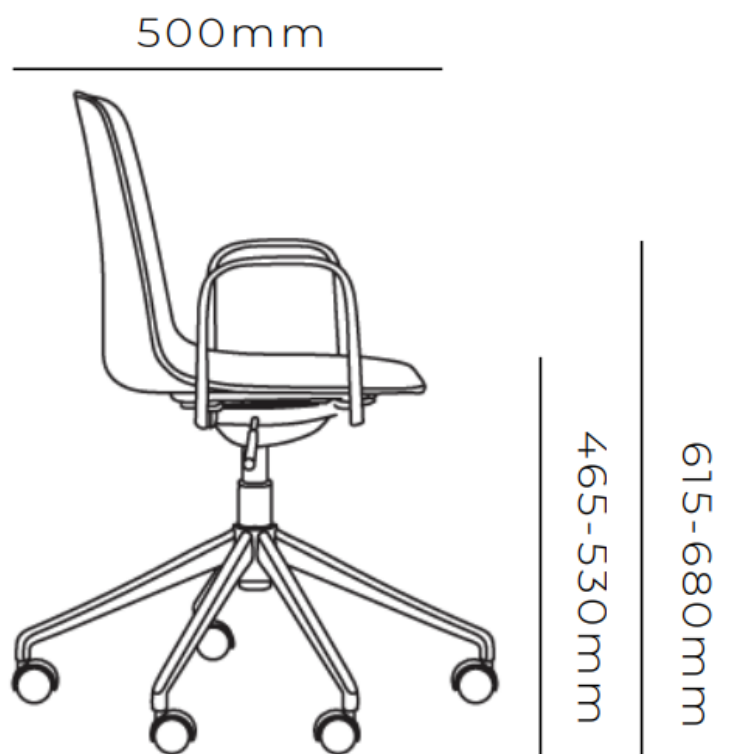
SPECIFICATIONS



Comes standard without arms



Comes standard without arms




Interia

Creating Work[ing] Spaces

 1800 549 852

 Interia.com.au

 sales@interia.com.au


Showroom
Old Cloisters Building
200 St. Georges Terrace,
Perth WA 6000


Head Office
21 - 25 Chisholm Crescent,
Kewdale WA 6105