

# ALBA

## STOOLS



# Interia



# Product

## DESCRIPTION

The ALBA collection of stools combines high-quality materials into a simple yet playful design that is easily adaptable to different interiors

## TYPES

- High Stool – 790mm
- Medium High Stool – 690mm
- Stool – 500mm

## FEATURES

- Seat made of soft polyurethane
- Solid wood legs
- Round glides for soft and hard floors.
- Stools are easy to disassemble, sort and recycled
- Wide range of applications
- Can be used in office collaborative or meeting spaces, an office kitchen as well as in public spaces
- Multitude of colour combinations
- 10 Year Warranty
- Weight Capacity 110kgs



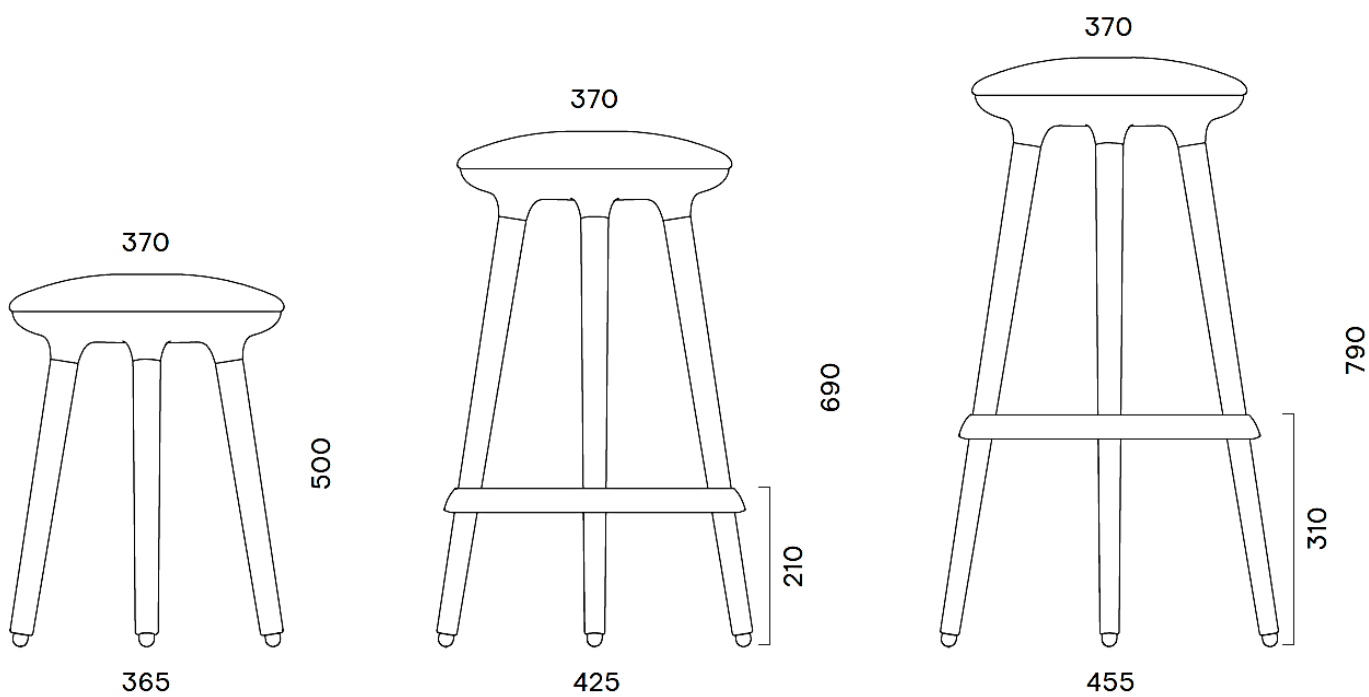
# Sustainable Design

## DESCRIPTION

- These stools use materials that meet the needs of today's consumers and the sustainability principles
- Easy to disassemble, sort and recycle
- The hard part of the seat and the footrest are made of plastic, which is fully recyclable, as are the solid wood legs
- The varnish and paints are water-based and therefore have low emissions of volatile organic compounds
- Seat
  - Outer cover made of 100% post industrial waste PA (nylon) plastic, reinforced with fiberglass
  - Upholstery plate made of 100% post industrial waste ABS (acrylonitrile butadiene styrene) plastic
  - Upholstered seat made of moulded polyurethane (PU) and upholstered with fabric or leather look



# Specifications






# Int<sup>er</sup>eria


Creating Work[ing] Spaces

---

 1800 549 852

 [Interia.com.au](http://Interia.com.au)

 [sales@interia.com.au](mailto:sales@interia.com.au)

 Showroom  
Old Cloisters Building  
200 St. Georges Terrace,  
Perth WA 6000

 Head Office  
21 - 25 Chisholm Crescent,  
Kewdale WA 6105