

Int^{er}ia

Creating Work[ing] Spaces



Loria

Chair Collection

2 - 4 Week Lead Time



Loria

We are excited to announce a new product range, The Loria Collection. This range will be exclusively supplied by Interia in WA. Loria is an Italian collection by French designer Jun Yasumoto. Born in Tokyo and now living in Paris, France, Jun Yasumoto designed the Loria as a commercial furniture solution for a wide variety of contexts and uses.

The Loria collection is made from high quality, recyclable, and environmentally friendly raw materials. The shell of the chair, armchair and stool is made of glass fibre reinforced polypropylene, thus obtaining the perfect mix of lightness and durability. There is a Loria chair to suit all applications, such as dining areas, cafés, meeting rooms, visitor and lobby areas, healthcare, and educational spaces.

This range will be stocked and optionally upholstered in WA allowing for customization without impacting our exceptional lead times.

Features

- One-Piece PP Flex Shell
- Interchangeable shells and bases
- Chair, armchair and stool options
- Customisable
- Sled and 4 Leg Metal options stackable
 - PP shell: 12 units on the ground, 20 units on a trolley
 - Upholstered shell: 6 units on the ground, 8 units on a trolley
- Optional Upholstery and Seat Pads
- 10 Years Warranty
- 140kg Recommended Weight Capacity
- ANSI/BIFMA X5.1 Certified



100% Recycled Plastic

The Loria collection is made from high quality, recyclable and environmentally friendly raw materials.

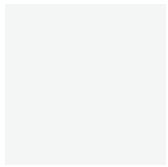
During the production processes, maximum attention is paid to reducing the consumption of raw materials, rationalising resources, reusing and/or recycling waste, and controlling emissions. Making durable products, both aesthetically and in terms of resistance, is the key element in guaranteeing sustainability.

Right from its design, the Loria collection is conceived to be disassembled when a component is replaced, in order to limit its consumption.





Standard PP Colour Options



White



Pink



Mint



Sand



Red



Navy



Black

Shell Options



PP Chair



PP Armchair

Base Options



Sled



4 Leg Metal



4 Leg Plastic



4 Leg Timber



4 Way Swivel
Height Adjustable



4 Way Swivel
Fixed Height



Stool Sled



Stool Timber

* Other powdercoat colours and base finishes available upon request.

Optional



Upholstered



Upholstered With Seat Pad



PP Shell with Seat Pad

Stacking Specifications

PP Shell with Metal Sled Frame

Stackability: 12 units on the ground and 20 on trolleys

PP Shell Fully Upholstered with Metal Sled Frame

Stackability: 6 units on the ground and 8 on trolleys

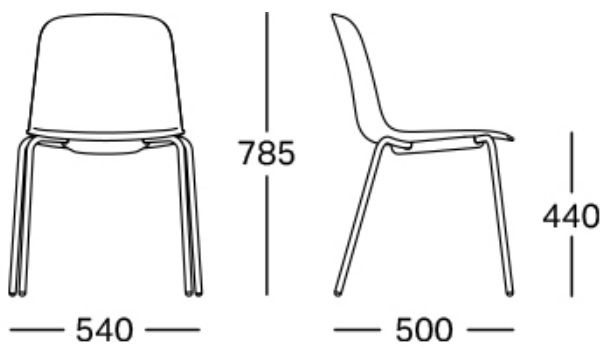
PP Shell with Metal 4 Leg Frame

Stackability: 12 units on the ground and 15 on trolleys

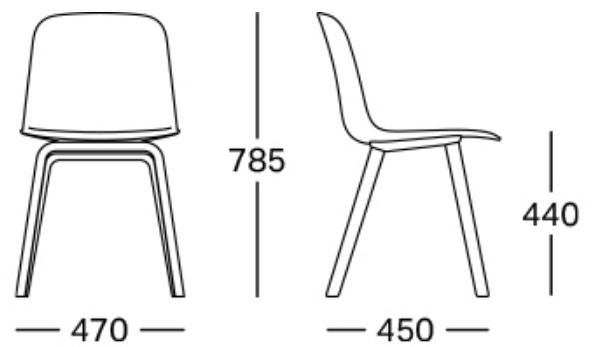
PP Shell Fully Upholstered with Metal 4 Leg Frame

Stackability: 6 units on the ground and 8 on trolleys

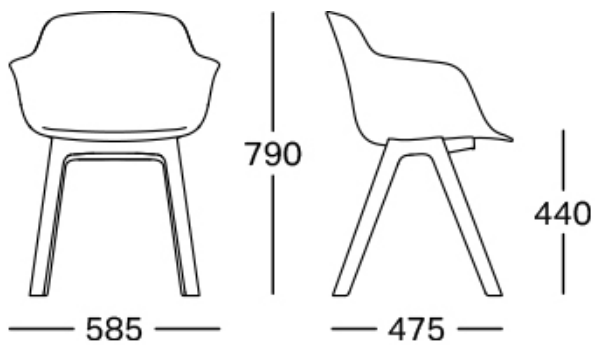
Specifications



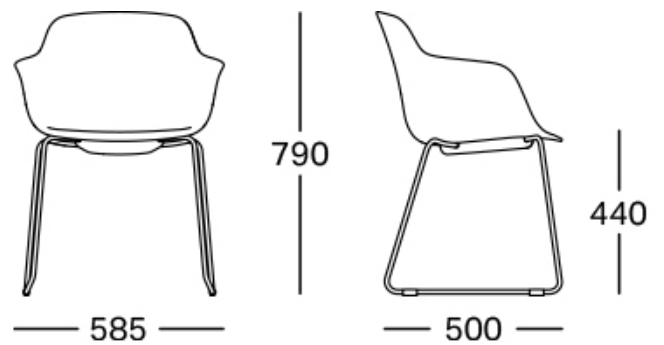
4 Leg Metal



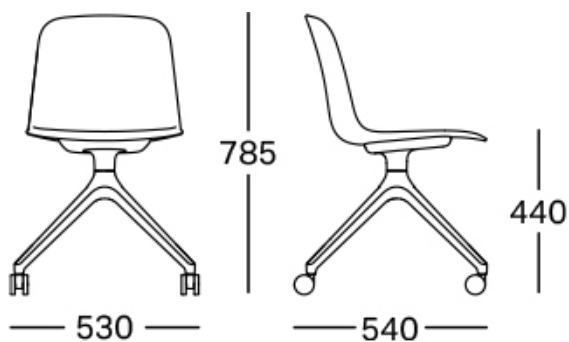
4 Leg Timber



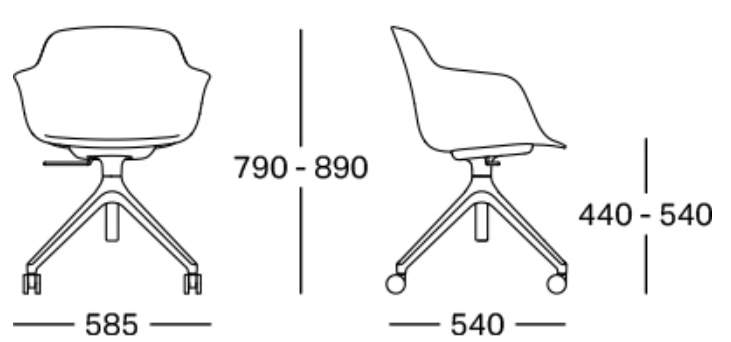
4 Leg Plastic Armchair



Sled Armchair

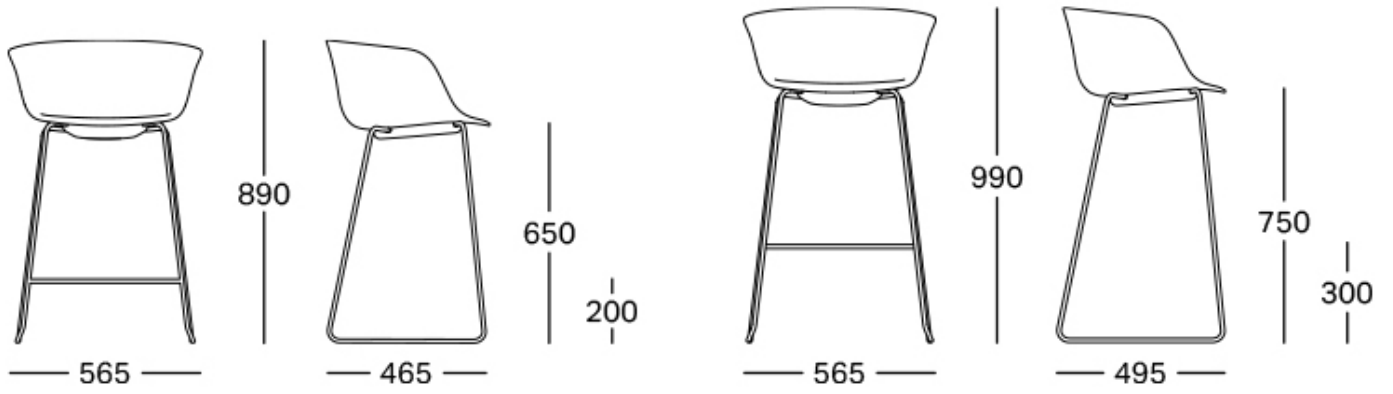


4 Way Swivel Fixed Height



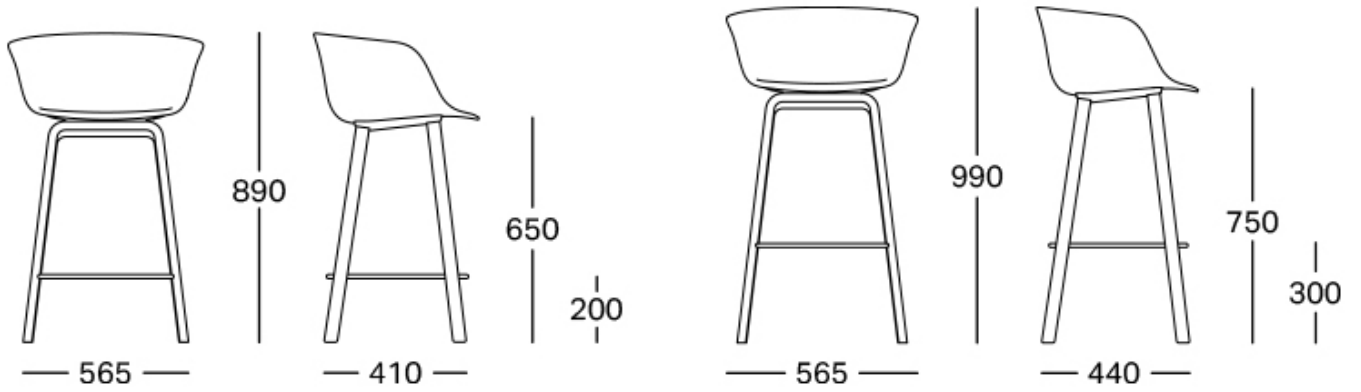
4 Way Swivel Adjustable Height Arm Chair

Specifications



Sled Stool - Low

Sled Stool - High



4 Leg Timber Stool - Low

4 Leg Timber Stool - High





CONTACT

1300 784 814
sales@interia.com.au

Showroom
Old Cloisters Building
200 St. Georges Terrace,
Perth WA 6000

Head Office
21 - 25 Chisholm Crescent,
Kewdale WA 6105

Connect with us
on social media!