

# Int<sup>er</sup>ia

Creating Work[ing] Spaces



## Loria

Chair Collection

2 - 4 Week Lead Time





# Loria

We are excited to announce a new product range, The Loria Collection. This range will be exclusively supplied by Interia in WA. Loria is an Italian collection by French designer Jun Yasumoto. Born in Tokyo and now living in Paris, France, Jun Yasumoto designed the Loria as a commercial furniture solution for a wide variety of contexts and uses.

The Loria collection is made from high quality, recyclable, and environmentally friendly raw materials. The shell of the chair, armchair and stool is made of glass fibre reinforced polypropylene, thus obtaining the perfect mix of lightness and durability. There is a Loria chair to suit all applications, such as dining areas, cafés, meeting rooms, visitor and lobby areas, healthcare, and educational spaces.

This range will be stocked and optionally upholstered in WA allowing for customization without impacting our exceptional lead times.

## Features

- One-Piece PP Flex Shell
- Interchangeable shells and bases
- Chair, armchair and stool options
- Customisable
- Stackable
- Optional Upholstery and Seat Pads
- 10 Years Warranty
- 140kg Recommended Weight Capacity
- ANSI/BIFMA X5.1 Certified





# 100% Recycled Plastic

The Loria collection is made from high quality, recyclable and environmentally friendly raw materials.

During the production processes, maximum attention is paid to reducing the consumption of raw materials, rationalising resources, reusing and/or recycling waste, and controlling emissions. Making durable products, both aesthetically and in terms of resistance, is the key element in guaranteeing sustainability.

Right from its design, the Loria collection is conceived to be disassembled when a component is replaced, in order to limit its consumption.





## Standard PP Colour Options



## Shell Options



## Base Options

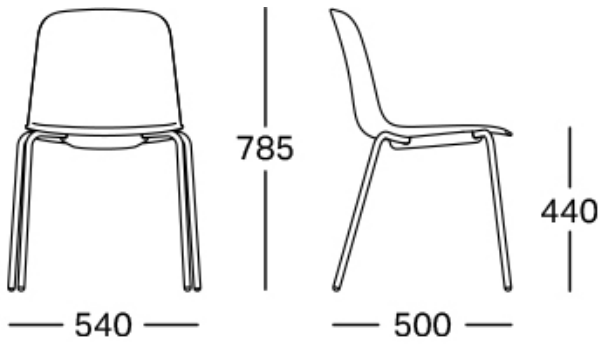


\* Other powdercoat colours and base finishes available upon request.

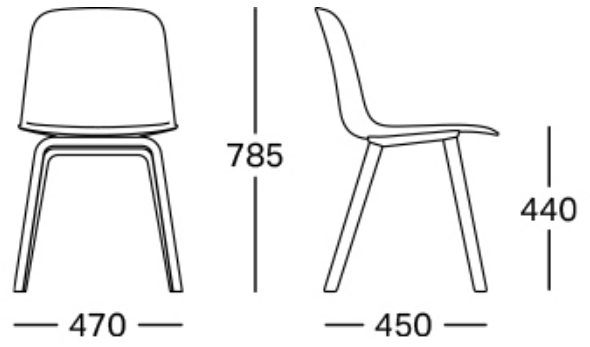
## Optional



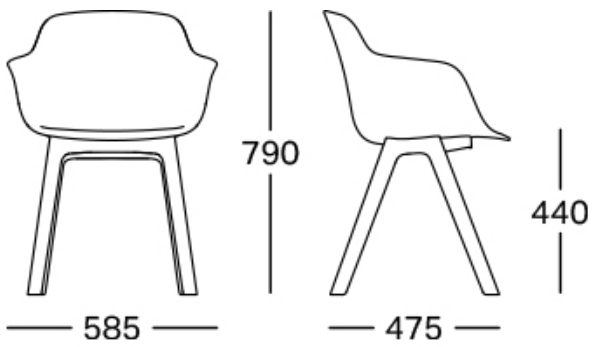
## Specifications



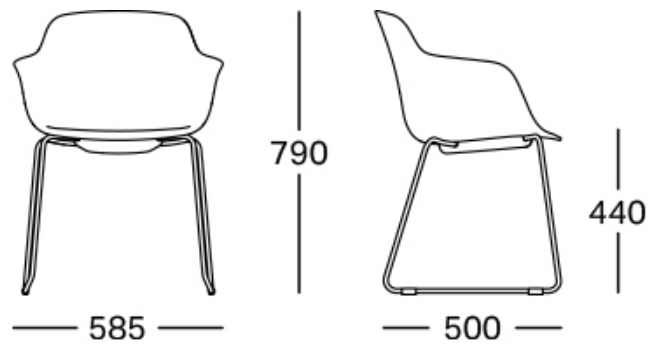
4 Leg Metal



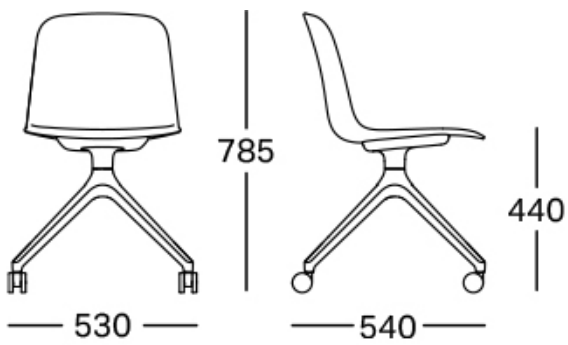
4 Leg Timber



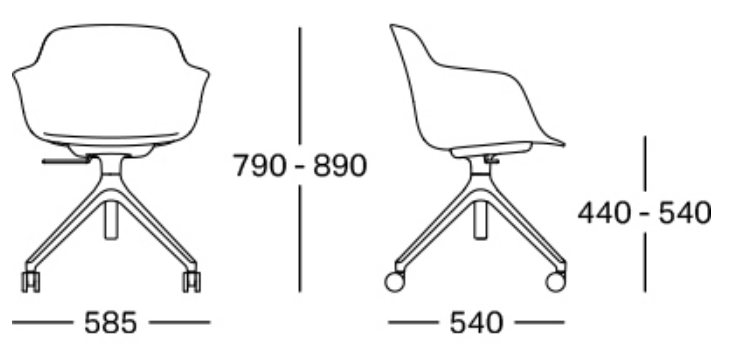
4 Leg Plastic Armchair



Sled Armchair

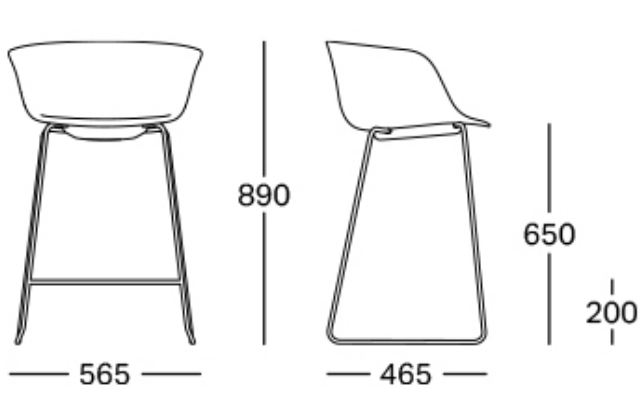


4 Way Swivel Fixed Height

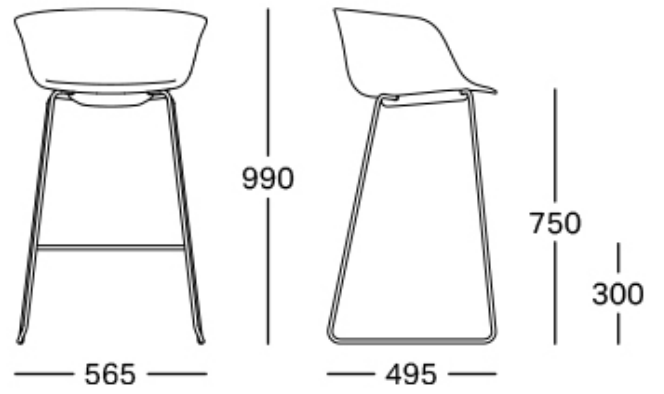


4 Way Swivel Adjustable Height Arm Chair

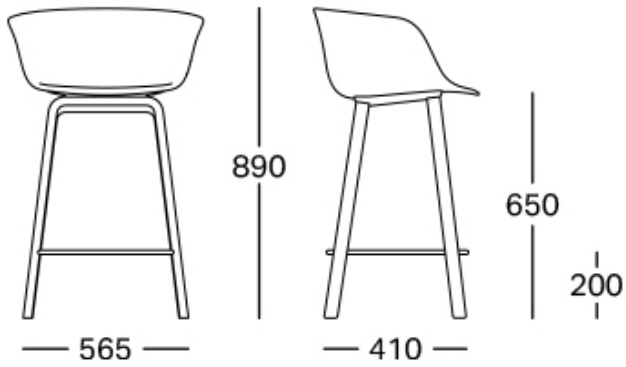
# Specifications



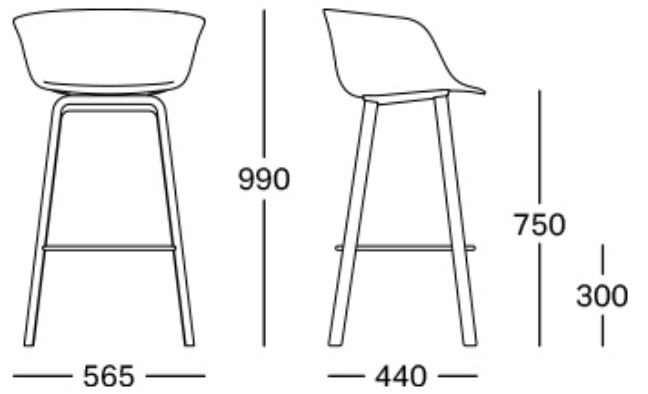
Sled Stool - Low



Sled Stool - High



4 Leg Timber Stool - Low



4 Leg Timber Stool - High





## CONTACT

1300 784 814  
[sales@interia.com.au](mailto:sales@interia.com.au)

Showroom  
Old Cloisters Building  
200 St. Georges Terrace,  
Perth WA 6000

Head Office  
21 - 25 Chisholm Crescent,  
Kewdale WA 6105

Connect with us  
on social media!