

# Interia

Creating Work[ing] Spaces



## Solitude

Acoustic Pod

12 - 16 Week Lead Time

# Solitude

Designed to redefine the hybrid workspace that brings people together and collaborate better than ever before. A new space solution where people can bring their full attention to day-to-day tasks with less interruption.

Providing a comfortable and neutral acoustic environment, a better way to enjoy the phone call, your focus, brainstorming with your colleagues, meeting or your personal entertainment.

## Features

- Multiple Sizes Available
  - Me - Individual Phone Booth
  - Solo - Occasional Personal Working Pod
  - Focus - Individual Working Pod / Small Group Meeting up to 2 members
  - Us - Group meeting up to 4 members
  - Meet - Group meeting up to 6 members
  - Collab - Group meeting up to 8 members
- Black Door Frame with customisable exterior, interior and table top colours
- More than 85% of the materials can be recycled
- Sound absorption, sound insulation and vibration reduction
- Glass door 2.0-5.0 thick alu alloy framed +6mm tempered glass/clear
- Glass Rear: 10mm tempered glass/clear
- Ventilation: Dimmable Inos Silent fan, up to 900RPM ceiling hidden
- Wall Filler: Acoustic fiber and gypsum board
- Dimmable lighting
- Motion Sensors

## Exterior Colour Options

With Black Door Frame



## Interior Colour Options

PET



\* Colours may vary due to computer screen variations. Please always check actual samples for confirmation to be sure

## Key Features

### Health / Safety

The overall product has through strict selection of materials, and more than 65% of the materials that care for the earth are made of recyclable materials; in order to ensure the health of the air and light sources in the space, the main body is coated with high-quality steel and fully environmentally friendly resin powder, and the sound-absorbing materials are environmentally friendly PET or Danish rockfon Inorganic sound-absorbing rock wool, the light source adopts high-efficiency led lamps, the fabric uses European imported non-toxic printing and dyeing, which meets the European RoHs standards. The structure is safe, the product has passed the sGs test, and the stable and fast installation is convenient for multiple use in the later stage.

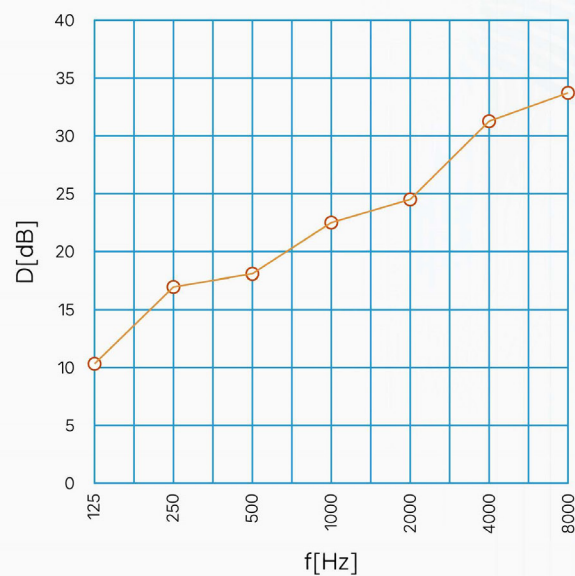
### Soundproof

The perfect external structure design separates the sound from the space to the utmost extent, and silencing the fresh air channel, and the multiple sound barrier design solves the problem of sound leakage; the overall design is based on NSUL MARSHA|| AcousTiC acoustic simulation design, 55% equivalent area in the space as a sound absorb, the sound-absorbing material is high-quality PET sound-absorbing panel or Danish rockfon sound-ab- sorbing rock wool, which realizes special processing of broadband response local materials. The technology integrates 40% of the equivalent area of active reflected sound. The successfully constructed an acoustic model of sound absorption, sound insulation and vibration reduction.

## Acoustic Properties

Frequency (Hz)	Speech level reduction D (dB)
125	10.2
250	16.9
500	18.0
1000	22.5
2000	24.5
4000	31.2
8000	33.7
$L_{w,p,A,1}$	<b>68.4</b>
$L_{w,p,A,2}$	<b>49.3</b>

Figure 1. Speech level reduction D against 1/1 Oct Frequency



f 1/1-octave frequency band, in Hz  
 $D_{s,A}$  a speech level reduction, in dB

**Classification of enclosures according to Speech level reduction ( $D_{s,A}$ ) = D**  
**Classification of  $D_{s,A}$  as per normal workspace is 27 dB**

## Specifications

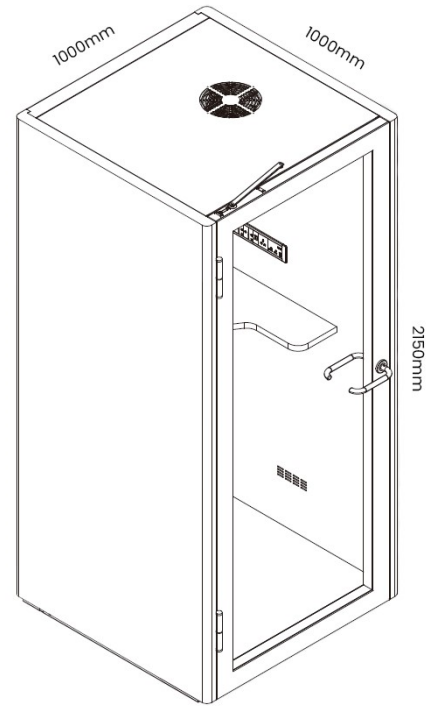
### Me:

Individual Phone Booth

Exterior Size: 2150H x 1000W x 1000D

Interior Size: 1992H x 870W x 902D

Work Bench: 1050H x 700W x 320/200D



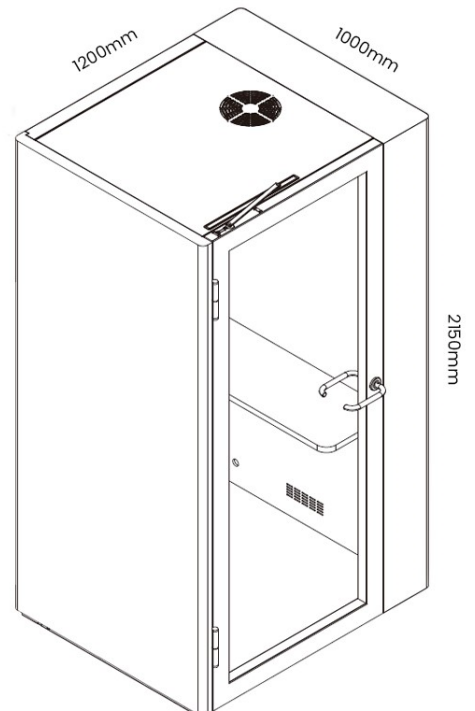
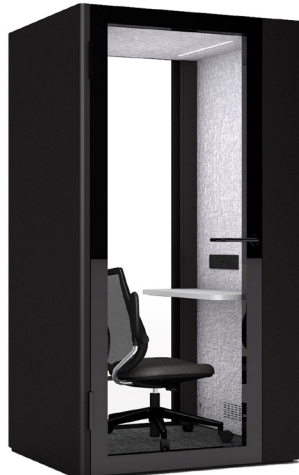
### Solo:

Occasional Personal Working Pod

Exterior Size: 2150H x 1200W x 1000D

Interior Size: 1997H x 1070W x 902D

Work Bench: 750H x 860W x 350D



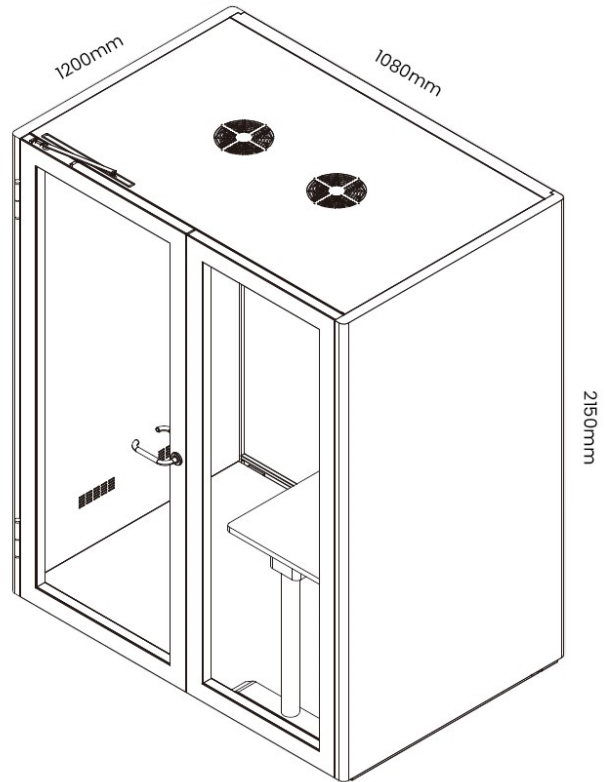
**Focus:**

Individual Working Pod / Small Group Meeting up to 2 members

Exterior Size: 2150H x 1800W x 1200D

Interior Size: 1997H x 1670W x 1102D

Work Bench: Optional, 1095W x 600D



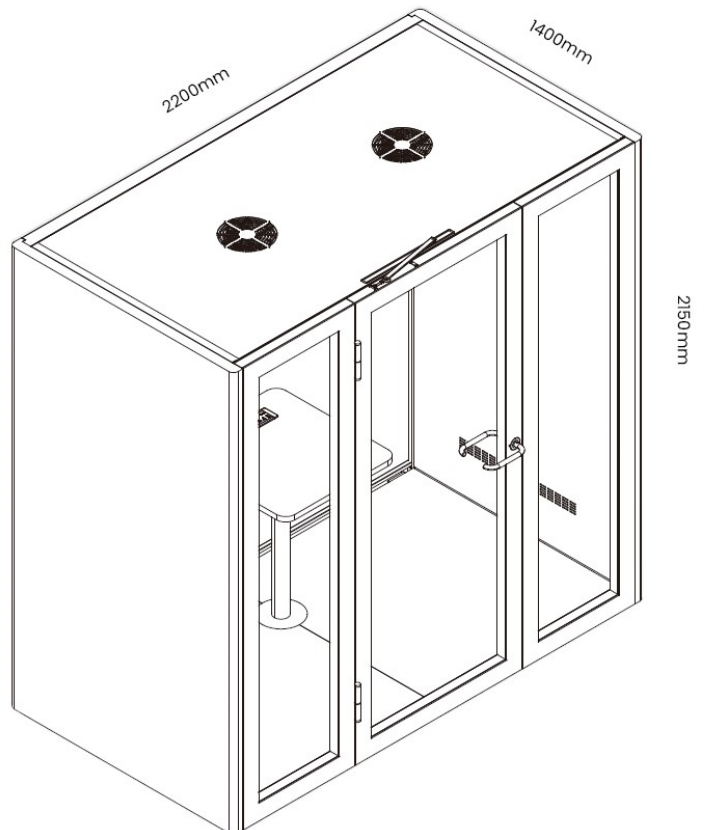
**Us:**

Group meeting up to 4 members

Exterior Size: 2150H x 2200W x 1400D

Interior Size: 1995H x 2070W x 1110D

Work Bench: 750H x 600W x 650D



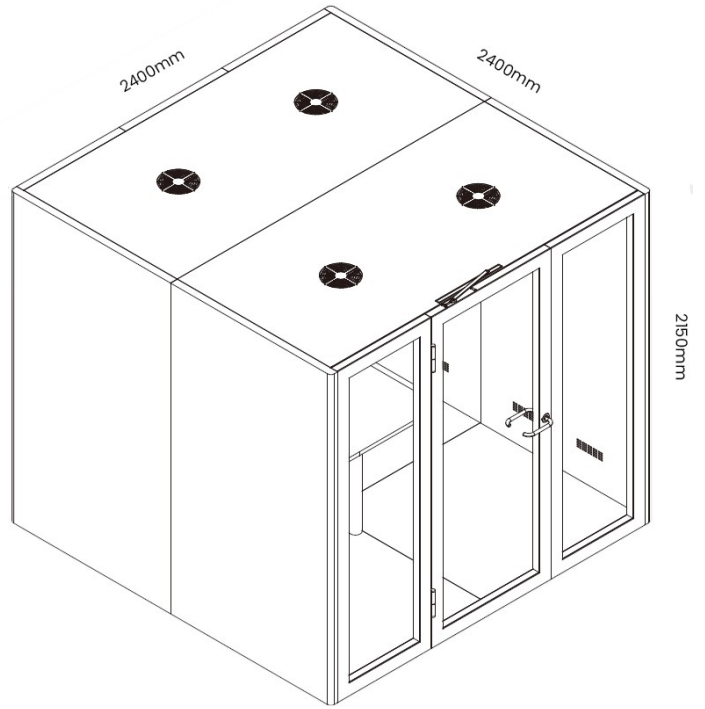
**Meet:**

Group meeting up to 6 members

Exterior Size: 2150H x 2400W x 2400D

Interior Size: 1997H x 2270W x 2303 D

Work Bench: 750H x 1600W x 700D

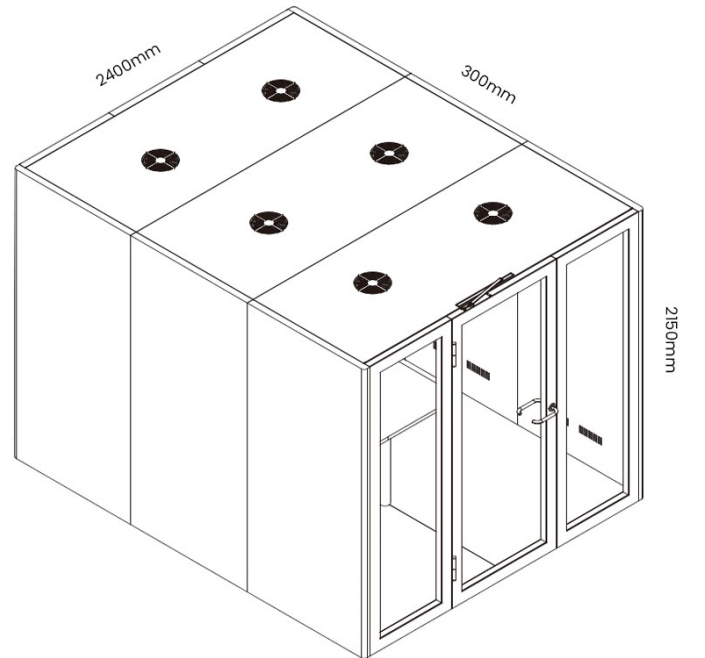


**Collab:**

Group meeting up to 8 members

Exterior Size: 2150H x 2400W x 3000D

Interior Size: 1997H x 2270W x 2902D





## CONTACT

1300 784 814  
[sales@interia.com.au](mailto:sales@interia.com.au)

Showroom  
Old Cloisters Building  
200 St. Georges Terrace,  
Perth WA 6000

Head Office  
21 - 25 Chisholm Crescent,  
Kewdale WA 6105

Connect with us  
on social media!